

# BSA

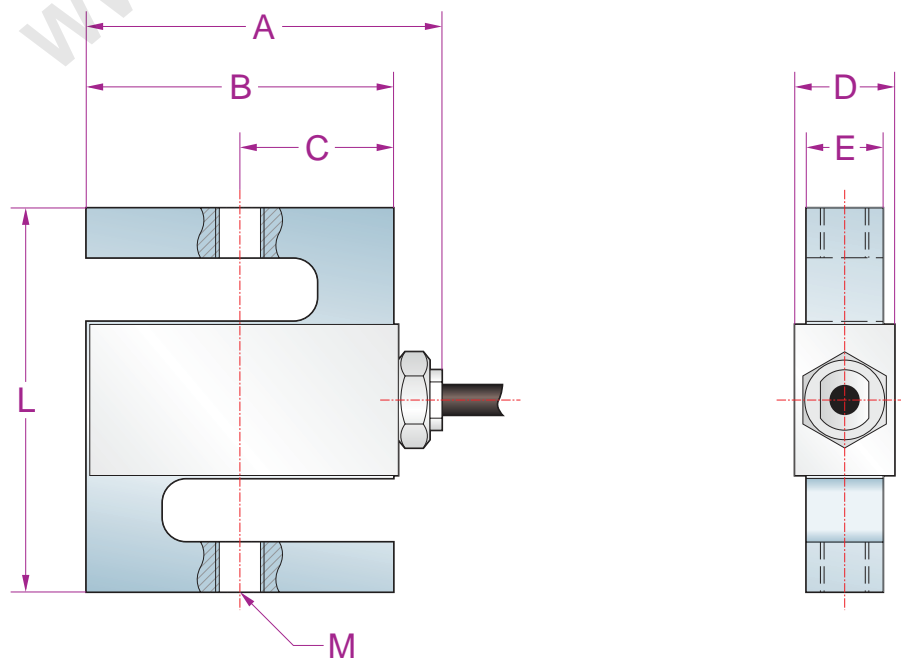


## Features

- S-Type Load Cell
- Alloy Steel
- Easy to Install, Stable & Reliable
- Suitable for Tension Measurement, Batching Scales and Batching Systems, etc.
- Rated up to IP67
- Equivalent to: Rice Lake RL20000 & Artech 20210

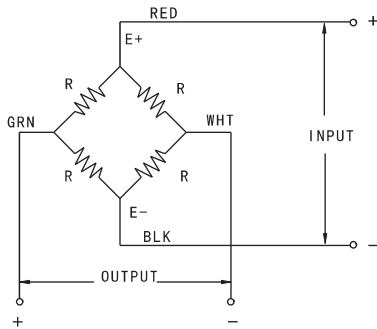
## Dimensions

Capacity		A	B	C	D	E	L	M
50 - 300 lb	in	2.32	2.00	1.00	0.65	0.50	2.50	1/4"-28 UNF
	mm	59.0	50.8	25.4	16.5	12.7	63.5	
500 - 1000 lb	in	3.27	2.00	1.00	1.10	0.75	2.50	1/2"-20 UNF
	mm	83.0	50.8	25.4	28.0	19.0	63.5	



## Schematic

Red: + excitation  
 Black: - excitation  
 Green: + signal  
 White: - signal



## Capacities / Model

50 lb	BSA-50
100 lb	BSA-100
200 lb	BSA-200
500 lb	BSA-500
1,000 lb	BSA-1k

## Specifications

Rated Output	3.05mV/V $\pm$ 1.64%
Zero Balance	$\pm$ 1% of rated output
Creep after 30 minutes	$\pm$ 0.03% of rated output
Nonlinearity	$\pm$ 0.03% of rated output
Hysteresis	$\pm$ 0.03% of rated output
Repeatability	$\pm$ 0.03% of rated output
Temp. effect on output	$\leq$ 0.002% of applied output/ $^{\circ}$ C
Temp. effect on zero	$\leq$ 0.002% of rated output/ $^{\circ}$ C
Safe Temp. Range	-10 $^{\circ}$ C to + 70 $^{\circ}$ C
Temp. Compensated	-10 $^{\circ}$ C to + 50 $^{\circ}$ C
Safe Overload	150%
Input Impedance	387ohm $\pm$ 5 ohm
Output Impedance	350 ohm $\pm$ 3 ohm
Insulation Resistance	$\geq$ 5000 M ohm (50V DC)
Rated Excitation	10V DC/AC
Maximum Excitation	15V DC/AC
Cable Length	20 ft (6 m)
Cable Color Code	Red(+E) Black(-E) Green(+S) White(-S)